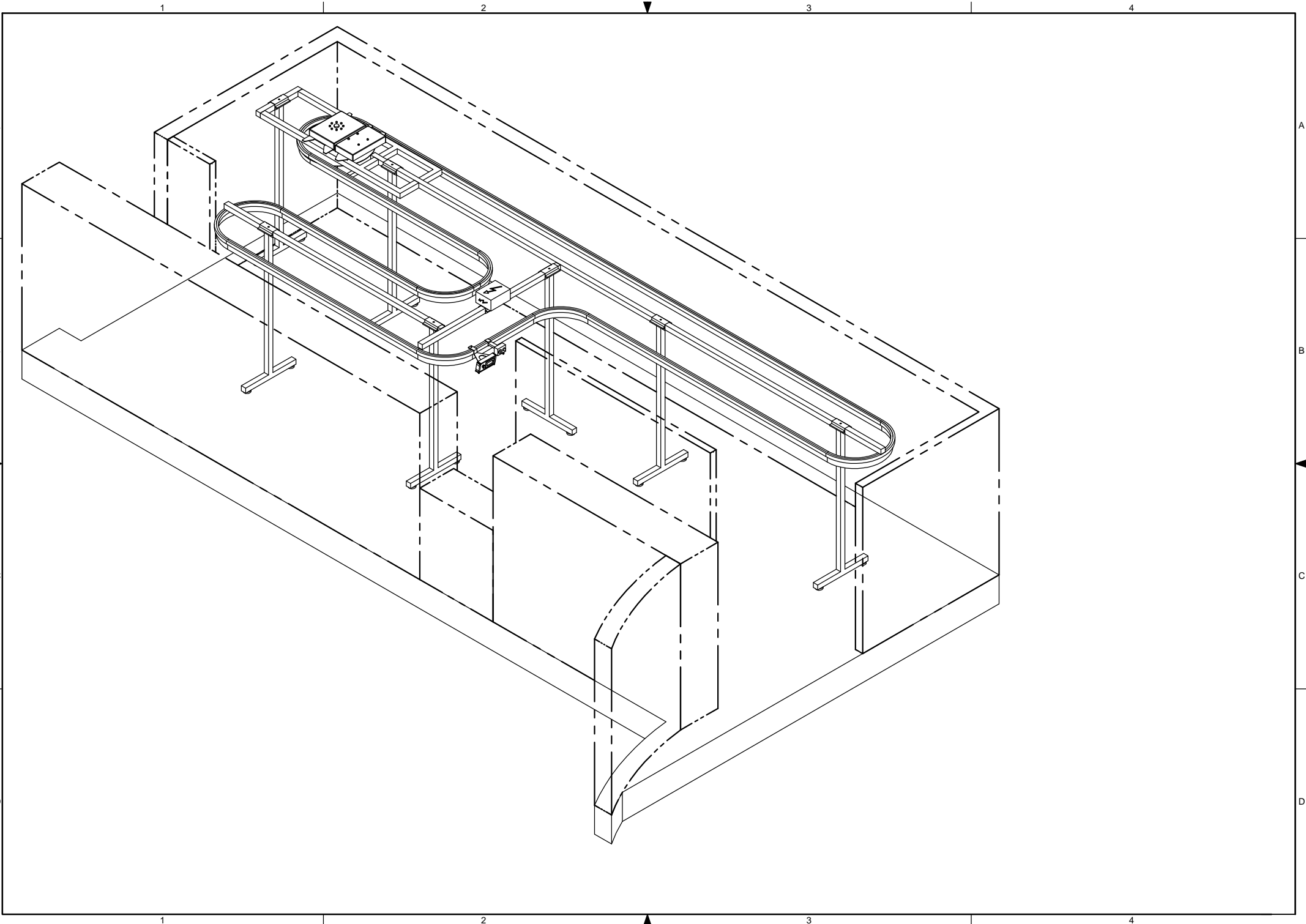
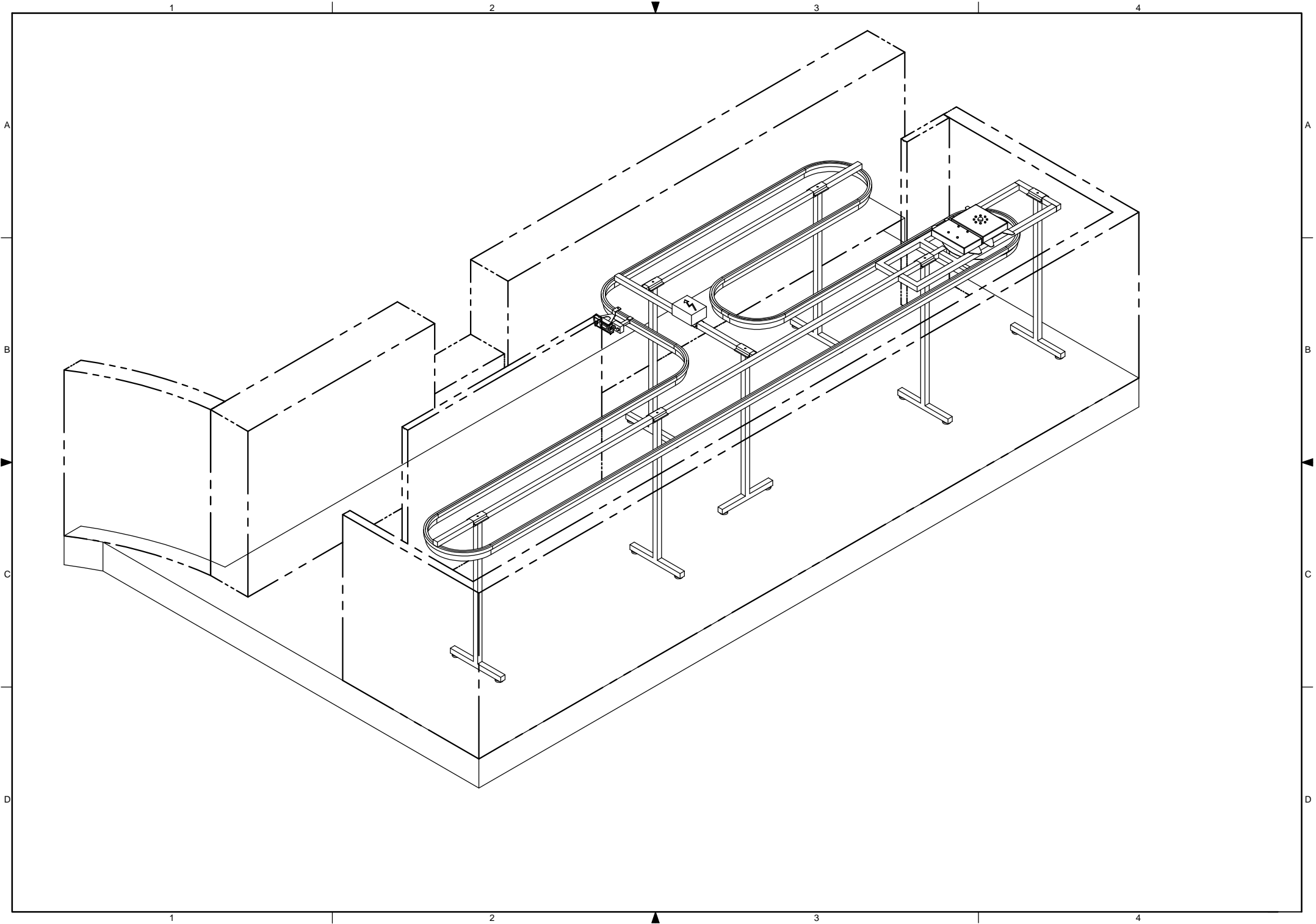
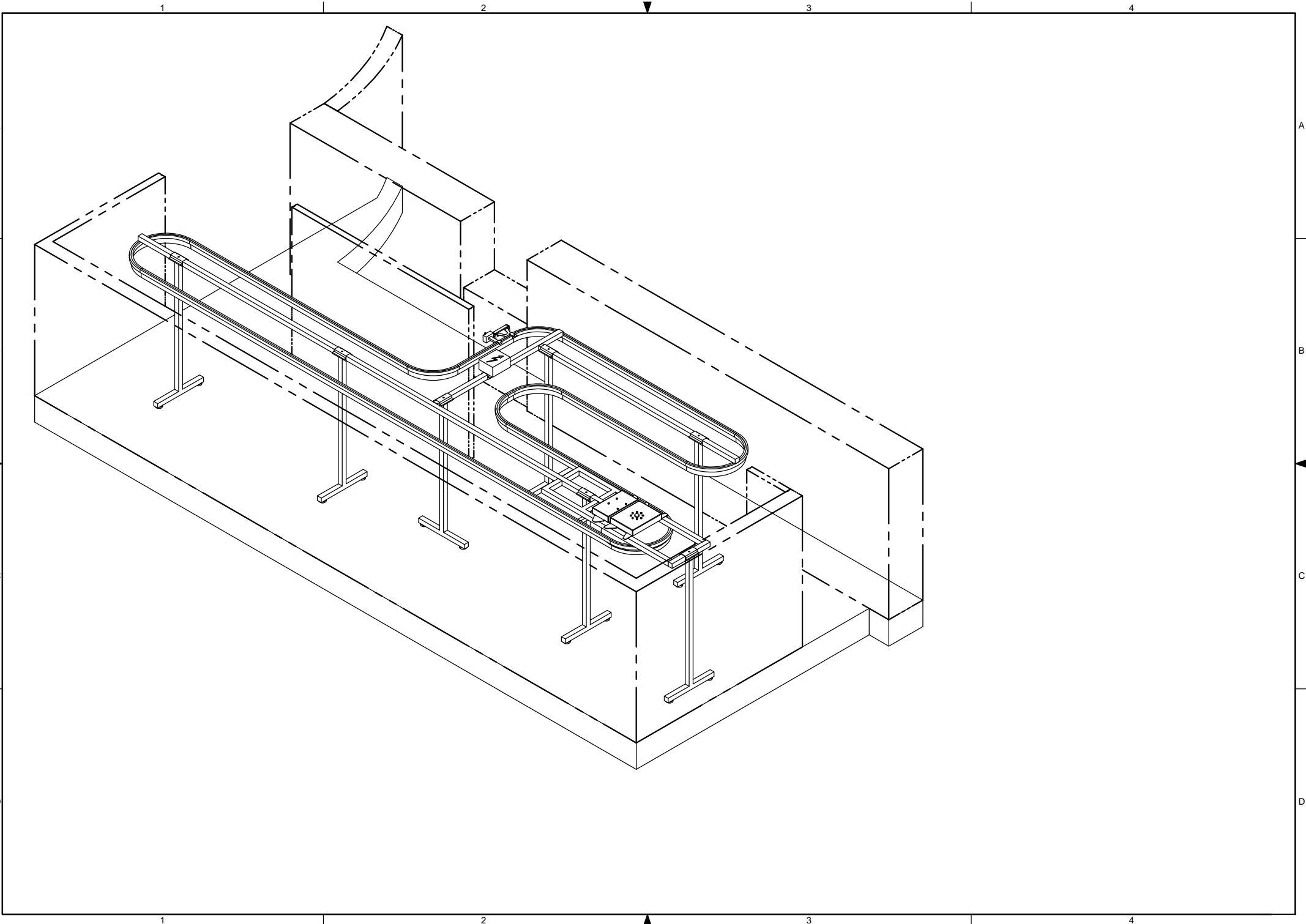


TOTAL CAPACITY 735 slots interaxis of 33 mm.
 When storing particularly bulky garments such as those which are usually present in a cloakroom, it is not always possible to place one garment in every slot, but it may be necessary to skip one every so often in order to recuperate space width ways. According to our experience, we consider that by using hangers of reduced width, such as those supplied by us, it is possible to position up to one garment every 50 mm. Assuming such a value, we are able to store up to 465-485 bulky garments.







1

2

3

4

A

A

B

B

C

C

D

D

