

LOWER CONVEYOR

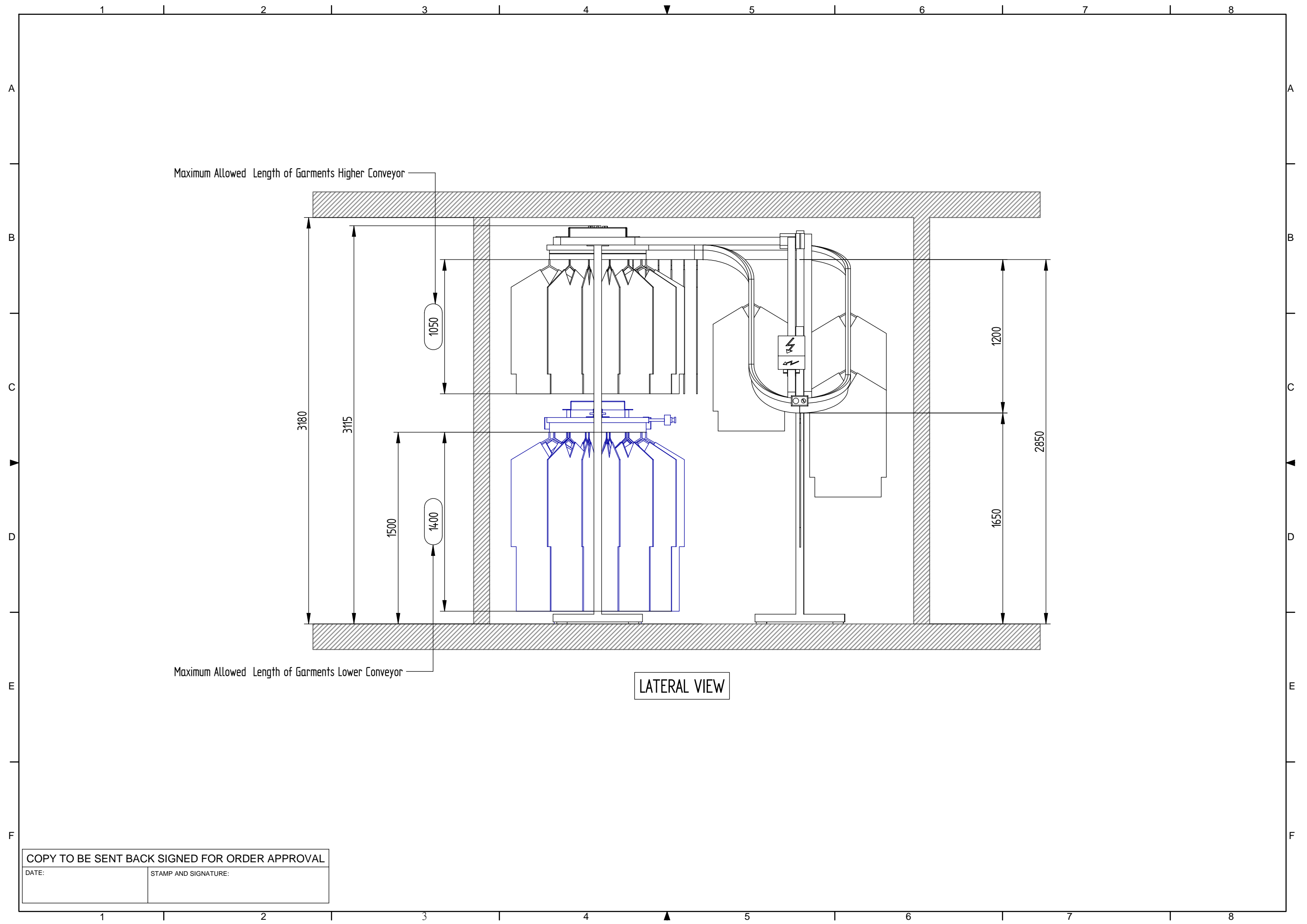
HIGHER CONVEYOR

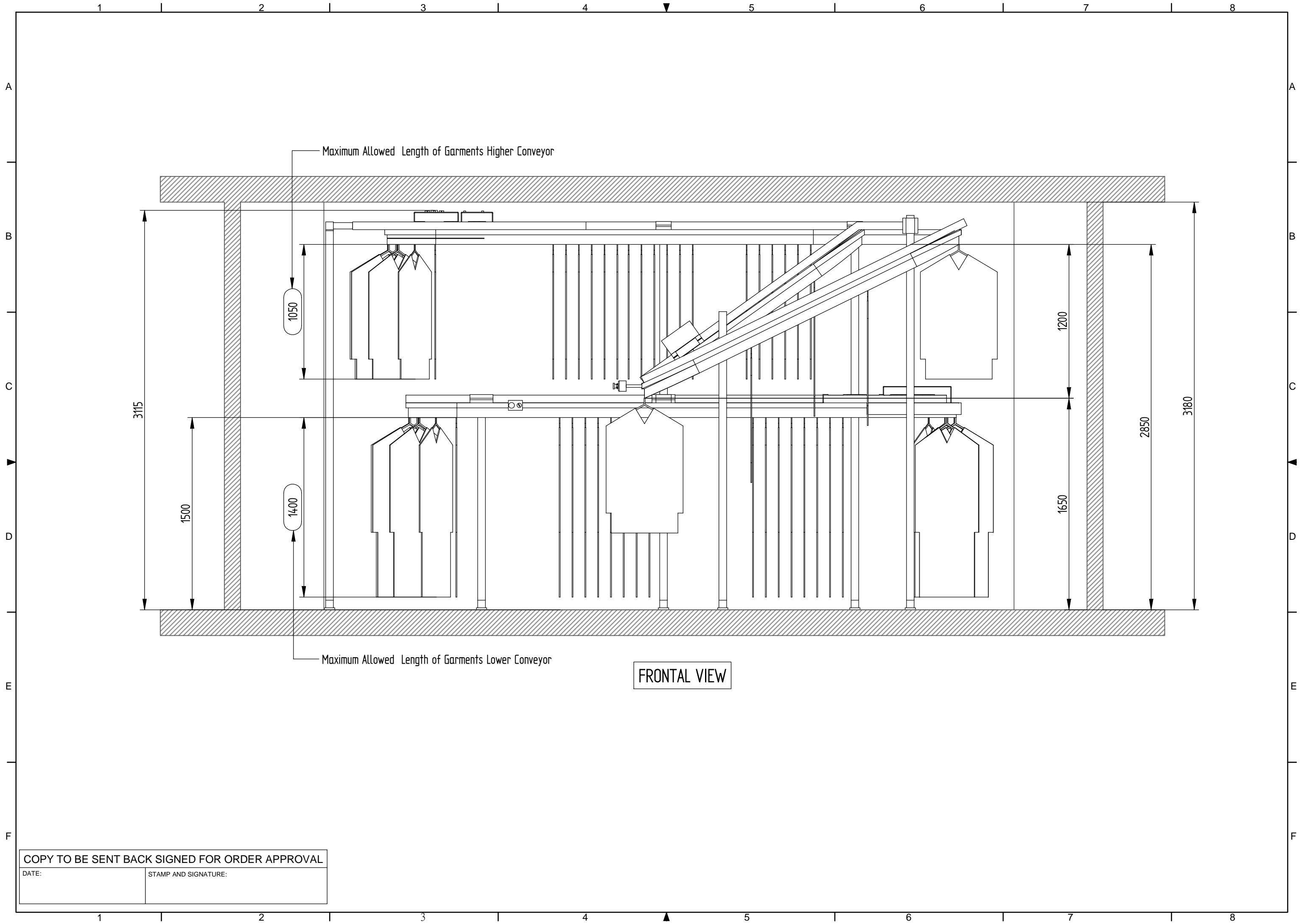
LOWER CONVEYOR:
 CAPACITY APPROX. 285 SLOTS (33 mm.)
 FOR STORING APPROX. 190 BULKY GARMENTS

HIGHER CONVEYOR:
 CAPACITY APPROX. 495 SLOTS (33 mm.)
 FOR STORING APPROX. 330 BULKY GARMENTS

TOTAL CAPACITY OF CONVEYORS: 780 SLOTS
 FOR STORING APPROX. 520 BULKY GARMENTS

COPY TO BE SENT BACK SIGNED FOR ORDER APPROVAL	
DATE:	STAMP AND SIGNATURE:





Maximum Allowed Length of Garments Higher Conveyor

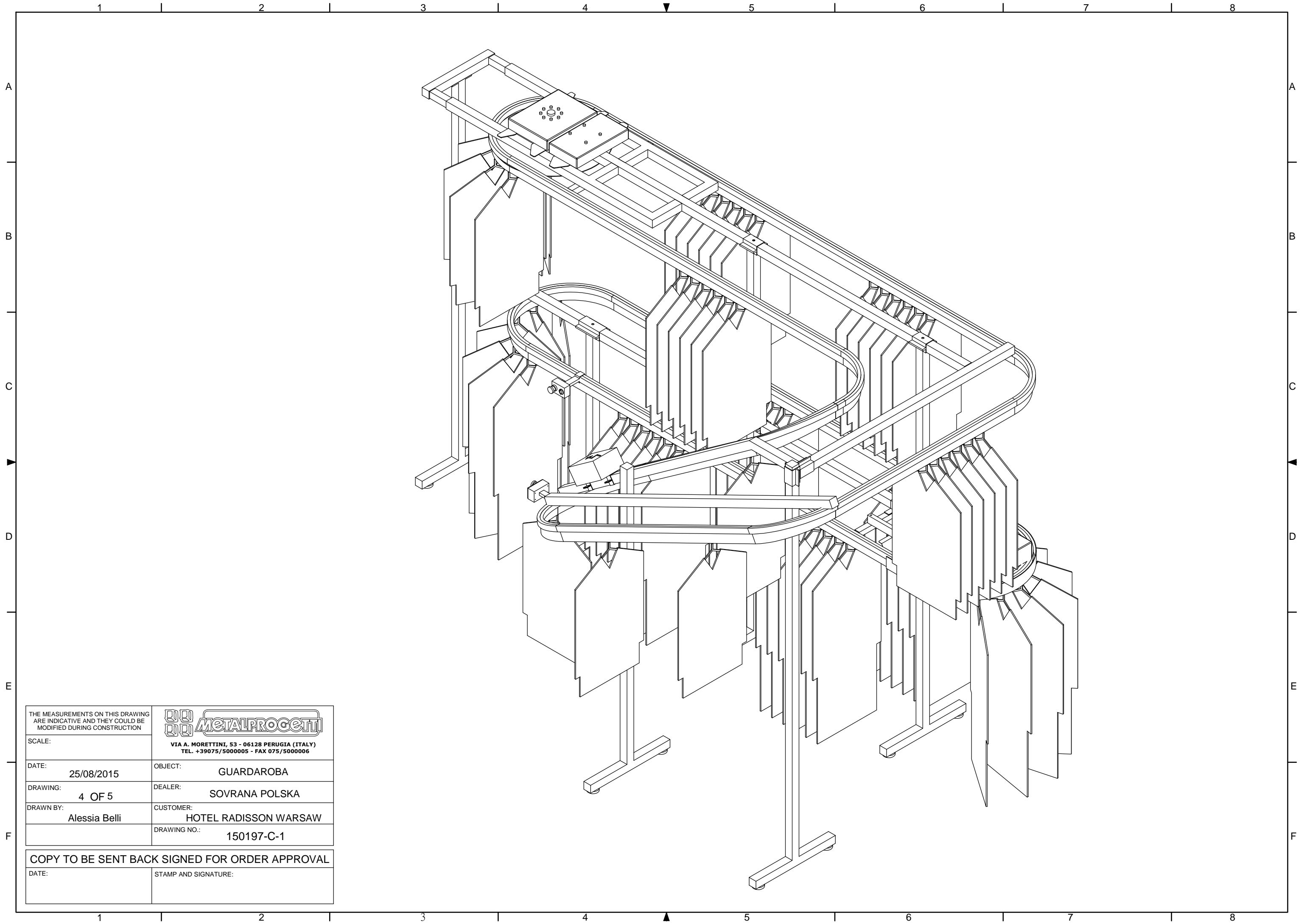
Maximum Allowed Length of Garments Lower Conveyor


FRONTAL VIEW

COPY TO BE SENT BACK SIGNED FOR ORDER APPROVAL

DATE:

STAMP AND SIGNATURE:



<small>THE MEASUREMENTS ON THIS DRAWING ARE INDICATIVE AND THEY COULD BE MODIFIED DURING CONSTRUCTION</small>			
<small>SCALE:</small>		<small>VIA A. MORETTINI, 53 - 06128 PERUGIA (ITALY) TEL. +39075/5000005 - FAX 075/5000006</small>	
<small>DATE:</small> 25/08/2015	<small>OBJECT:</small> GUARDAROBA	<small>DEALER:</small> SOVRANA POLSKA	<small>CUSTOMER:</small> HOTEL RADISSON WARSAW
<small>DRAWING:</small> 4 OF 5	<small>DRAWN BY:</small> Alessia Belli	<small>DRAWING NO.:</small> 150197-C-1	
COPY TO BE SENT BACK SIGNED FOR ORDER APPROVAL			
<small>DATE:</small>	<small>STAMP AND SIGNATURE:</small>		

