

CAPACITY OF EACH CONVEYOR
 APPROX. 315 SLOTS (33 mm)

1

2

3

4

A

A

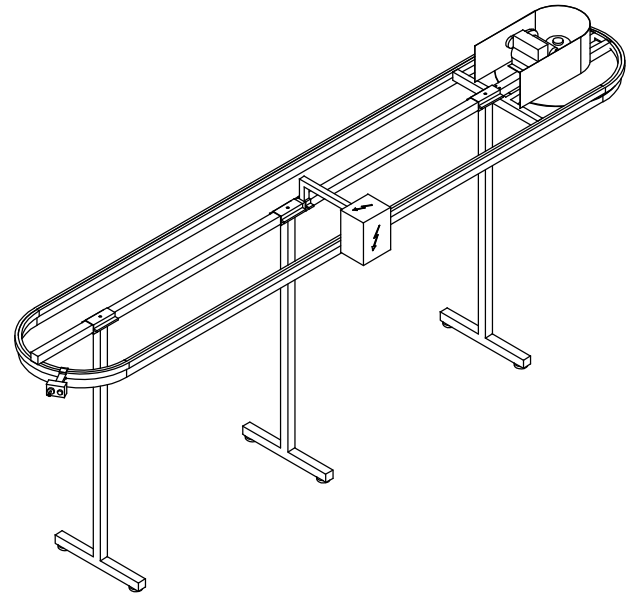
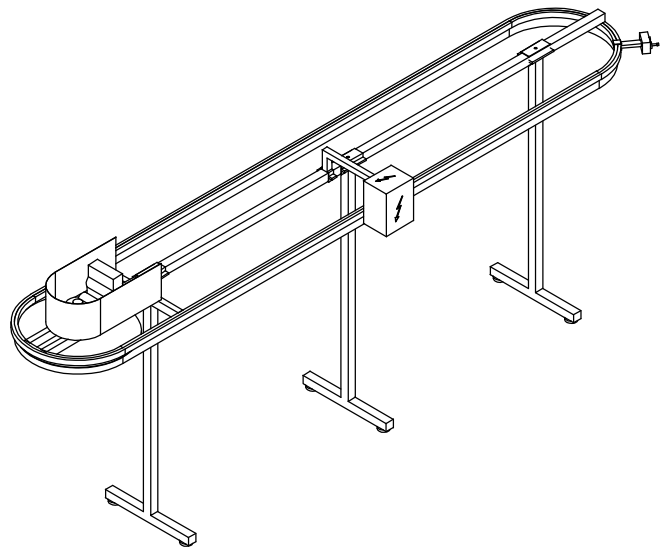
B

B

C

C

D



1

2

3