
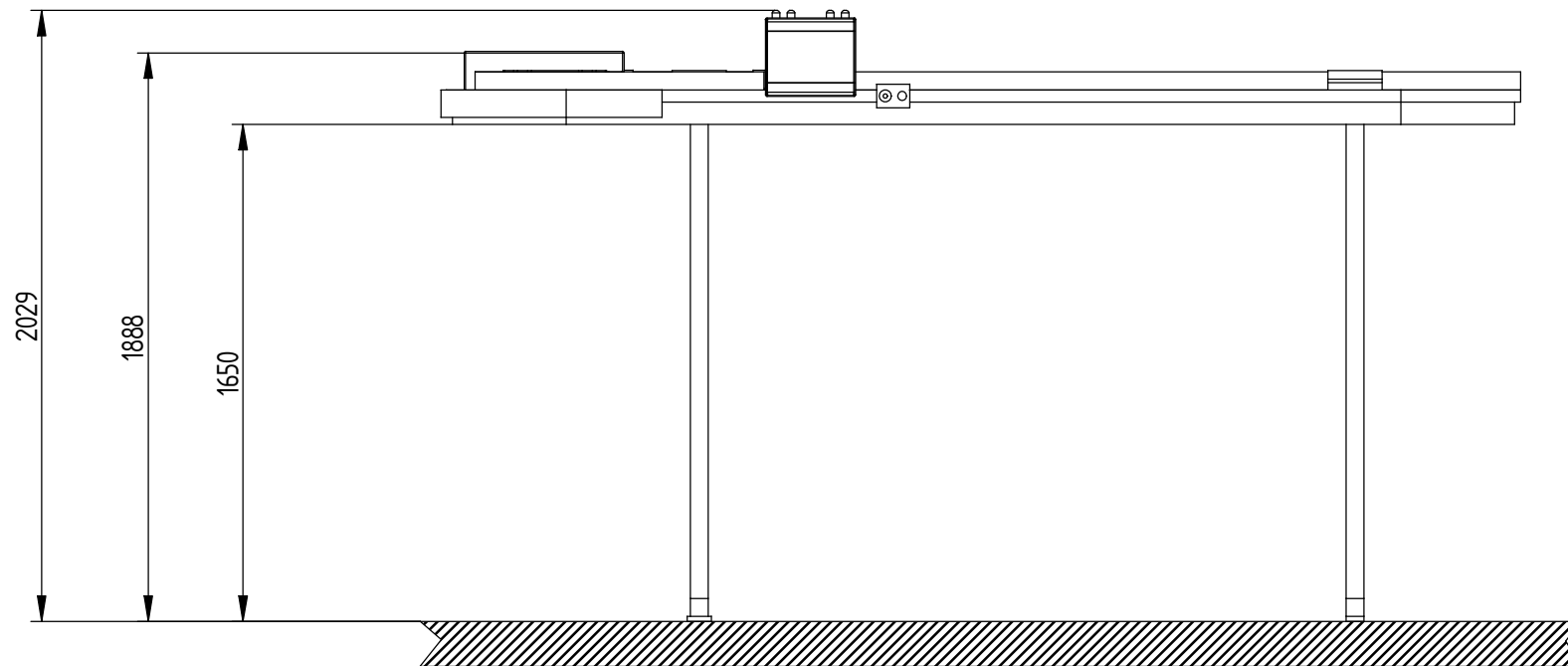



CAPACITY OF CONVEYOR
 APPROX. 240 SLOTS (33 mm.)
 OR 160 SLOT (49,5 mm)

| | | | |
|--|---------------|---|----------------|
| THE MEASUREMENTS ON THIS DRAWING ARE INDICATIVE AND THEY COULD BE MODIFIED DURING CONSTRUCTION | |  | |
| SCALE: | 1:50 | VIA A. MORETTINI, 53 - 06128 PERUGIA - ITALIA TEL. ++39075/5000005 - FAX ++39075/5000006 | |
| DATE: | 02/12/2010 | OBJECT: | GUARDAROBA |
| DRAWING: | 1 OF 3 | CUSTOMER: | SOVRANA POLSKA |
| DRAWN BY: | filippo.maone | DEALER: | SOUND CENTRUM |
| Mot. 0,37 kW | Inv. 0,55 kW | DRAWING NO.: | 10-0833-A-1 |

COPY TO BE SENT BACK SIGNED FOR ORDER APPROVAL

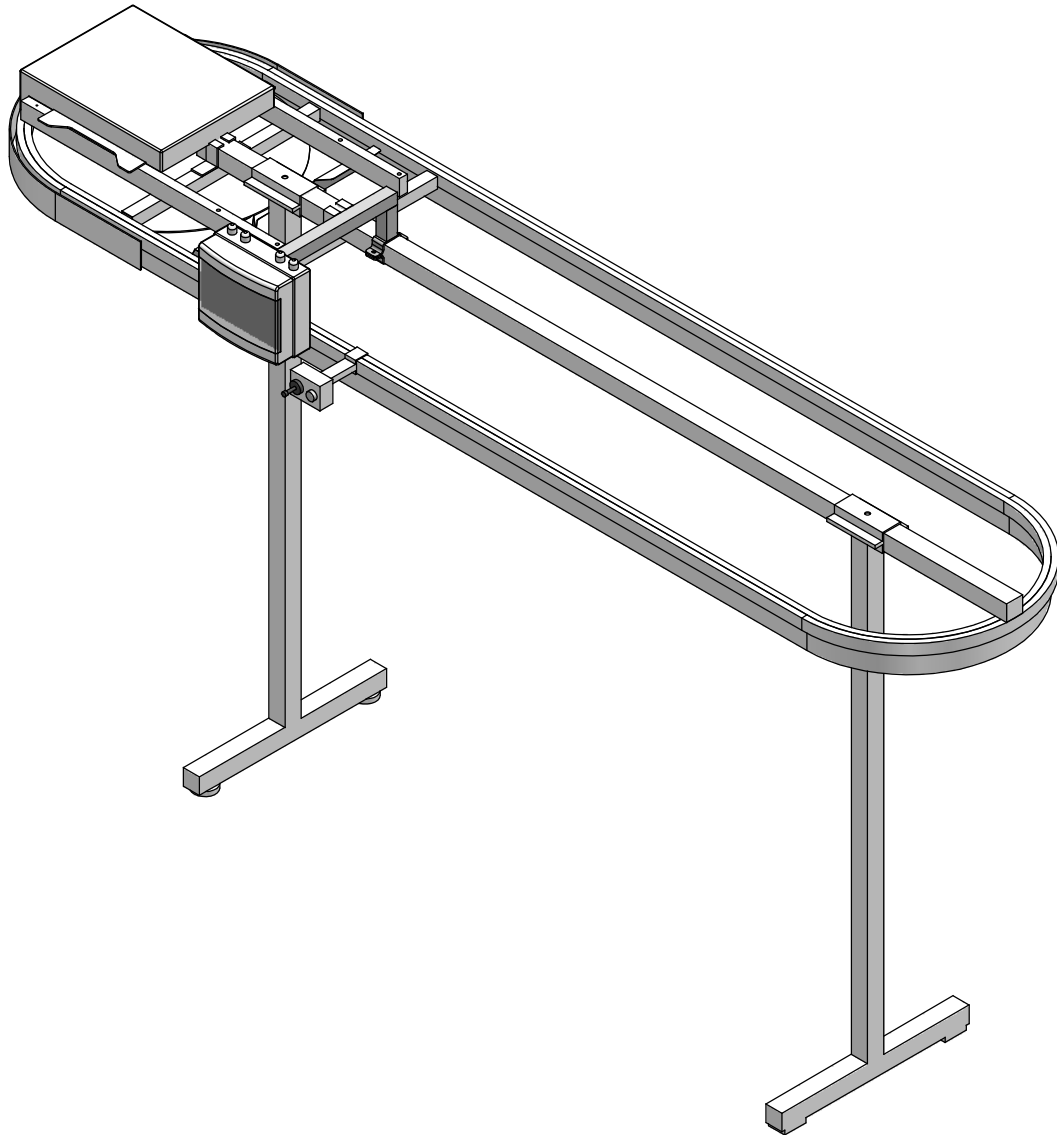
| | |
|-------|----------------------|
| DATE: | STAMP AND SIGNATURE: |
|-------|----------------------|





| | | | |
|--|---------------|---|----------------|
| THE MEASUREMENTS ON THIS DRAWING ARE INDICATIVE AND THEY COULD BE MODIFIED DURING CONSTRUCTION | |  | |
| SCALE: | 1:25 | VIA A. MORETTINI, 53 - 06128 PERUGIA - ITALIA TEL. ++39075/5000005 - FAX ++39075/5000006 | |
| DATE: | 02/12/2010 | OBJECT: | GUARDAROBA |
| DRAWING: | 2 OF 3 | CUSTOMER: | SOVRANA POLSKA |
| DRAWN BY: | filippo.maone | DEALER: | SOUND CENTRUM |
| APPROVED BY: | | DRAWING NO.: | 10-0833-A-1 |

COPY TO BE SENT BACK SIGNED FOR ORDER APPROVAL

| | |
|-------|----------------------|
| DATE: | STAMP AND SIGNATURE: |
|-------|----------------------|



| | |
|--|--|
| THE MEASUREMENTS ON THIS DRAWING ARE INDICATIVE AND THEY COULD BE MODIFIED DURING CONSTRUCTION |   METALPROGETTI |
| SCALE: | VIA A. MORETTINI, 53 - 06128 PERUGIA - ITALIA TEL. ++39075/5000005 - FAX ++39075/5000006 |
| DATE: 02/12/2010 | OBJECT: GUARDAROBA |
| DRAWING: 3 OF 3 | CUSTOMER: SOVRANA POLSKA |
| DRAWN BY: filippo.maone | DEALER: SOUND CENTRUM |
| APPROVED BY: | DRAWING NO.: 10-0833-A-1 |

COPY TO BE SENT BACK SIGNED FOR ORDER APPROVAL

| | |
|-------|----------------------|
| DATE: | STAMP AND SIGNATURE: |
|-------|----------------------|