

5762

3655

4768

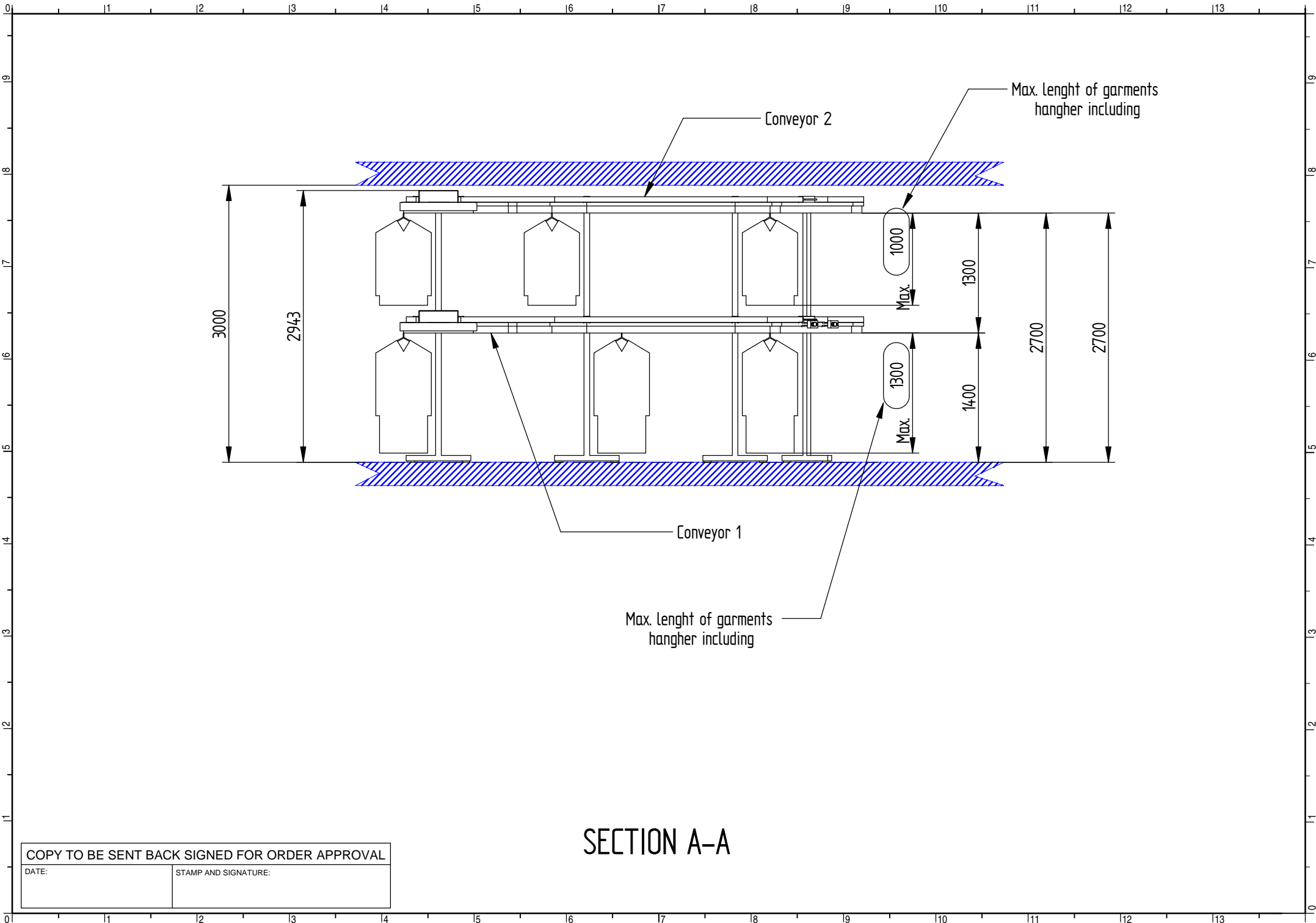
Conveyor 2

Conveyor 1

A

A

CAPACITY OF CONVEYOR 1 APPROX. 645 SLOTS (33 mm.)  
 FOR STORING APPROX. 425 BULKY GARMENTS  
 CAPACITY OF CONVEYOR 2 APPROX. 645 SLOTS (33 mm.)  
 FOR STORING APPROX. 425 BULKY GARMENTS  
 TOTAL CAPACITY APPROX. 850 BULKY GARMENTS



SECTION A-A

COPY TO BE SENT BACK SIGNED FOR ORDER APPROVAL

DATE:

STAMP AND SIGNATURE:

1

2

3

4

A

A

B

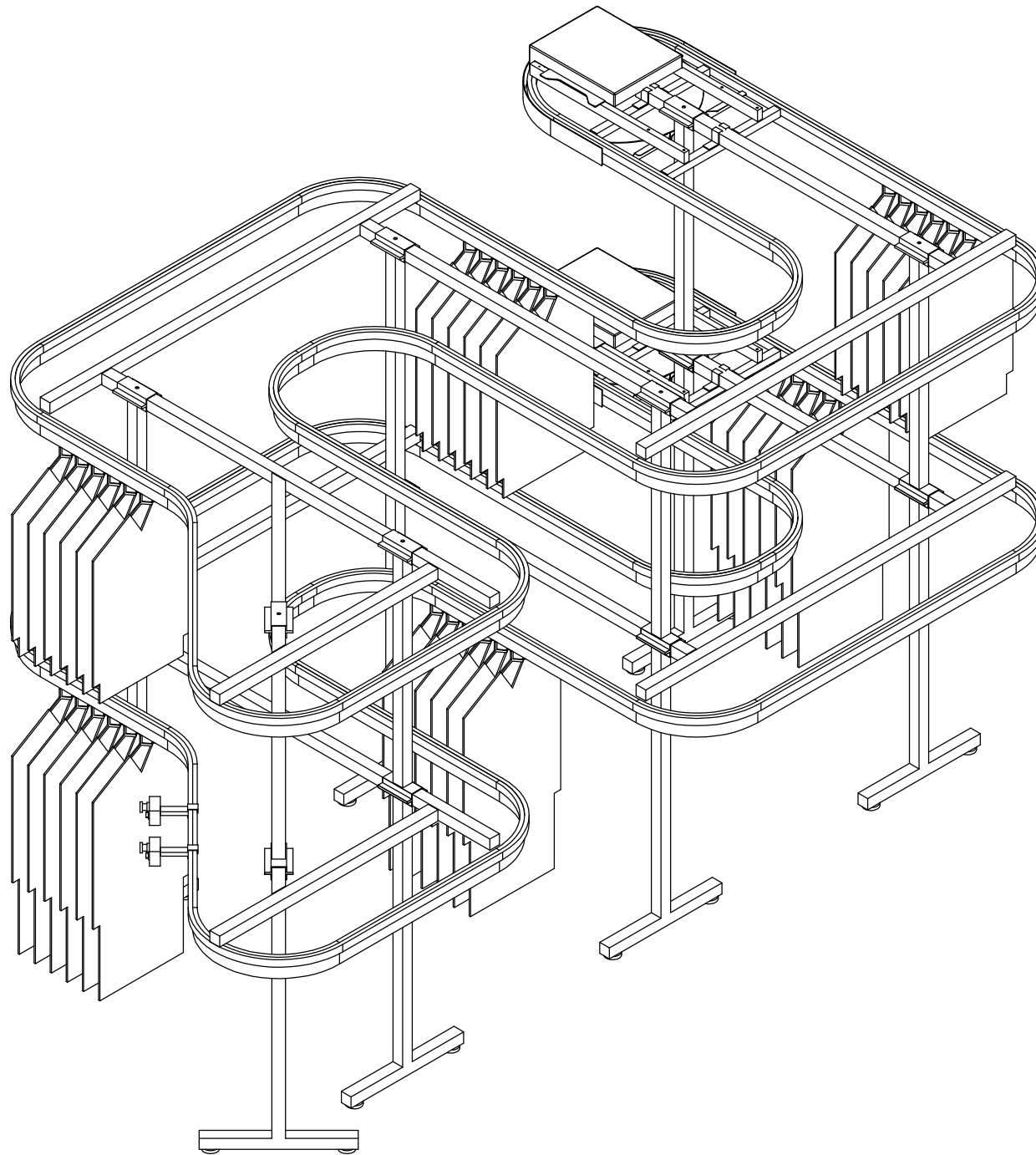
B

C

C

D

D



1

2

3

4

A

A

B

B

C

C

D

D

